

(19) World Intellectual Property Organization
International Bureau



(43) International Publication Date
28 October 2010 (28.10.2010)

(10) International Publication Number
WO 2010/122062 A1

(51) International Patent Classification:

A61L 9/18 (2006.01) A61L 2/00 (2006.01)
A61L 2/08 (2006.01) A23L 3/26 (2006.01)

(21) International Application Number:

PCT/EP2010/055276

(22) International Filing Date:

21 April 2010 (21.04.2010)

(25) Filing Language:

English

(26) Publication Language:

English

(30) Priority Data:

1036892 21 April 2009 (21.04.2009) NL

(71) Applicant (for all designated States except US):
PURILL BV [—/NL]; Waterschapslaan 15, NL-1261 JR
Blaricum (NL).

(72) Inventor; and

(75) Inventor/Applicant (for US only): VASILENKO,
Vladimir [CA/CA]; 17891 McPhail Rd. RR#2, Martin-
town, Ontario K0C 1S0 (CA).

(74) Agent: RINGELING, Patricia; Enelex Innovation BV,
Van der Lelijkstraat 8, NL-2614 EM Delft (NL).

(81) Designated States (unless otherwise indicated, for every
kind of national protection available): AE, AG, AL, AM,
AO, AT, AU, AZ, BA, BB, BG, BH, BR, BW, BY, BZ,

CA, CH, CL, CN, CO, CR, CU, CZ, DE, DK, DM, DO,
DZ, EC, EE, EG, ES, FI, GB, GD, GE, GH, GM, GT,
HN, HR, HU, ID, IL, IN, IS, JP, KE, KG, KM, KN, KP,
KR, KZ, LA, LC, LK, LR, LS, LT, LU, LY, MA, MD,
ME, MG, MK, MN, MW, MX, MY, MZ, NA, NG, NI,
NO, NZ, OM, PE, PG, PH, PL, PT, RO, RS, RU, SC, SD,
SE, SG, SK, SL, SM, ST, SV, SY, TH, TJ, TM, TN, TR,
TT, TZ, UA, UG, US, UZ, VC, VN, ZA, ZM, ZW.

(84) Designated States (unless otherwise indicated, for every
kind of regional protection available): ARIPO (BW, GH,
GM, KE, LR, LS, MW, MZ, NA, SD, SL, SZ, TZ, UG,
ZM, ZW), Eurasian (AM, AZ, BY, KG, KZ, MD, RU, TJ,
TM), European (AT, BE, BG, CH, CY, CZ, DE, DK, EE,
ES, FI, FR, GB, GR, HR, HU, IE, IS, IT, LT, LU, LV,
MC, MK, MT, NL, NO, PL, PT, RO, SE, SI, SK, SM,
TR), OAPI (BF, BJ, CF, CG, CI, CM, GA, GN, GQ, GW,
ML, MR, NE, SN, TD, TG).

Declarations under Rule 4.17:

- as to applicant's entitlement to apply for and be granted
a patent (Rule 4.17(ii))
- as to the applicant's entitlement to claim the priority of
the earlier application (Rule 4.17(iii))

Published:

- with international search report (Art. 21(3))

(54) Title: METHOD AND DEVICE FOR DISINFECTION AND/OR PURIFICATION OF A PRODUCT

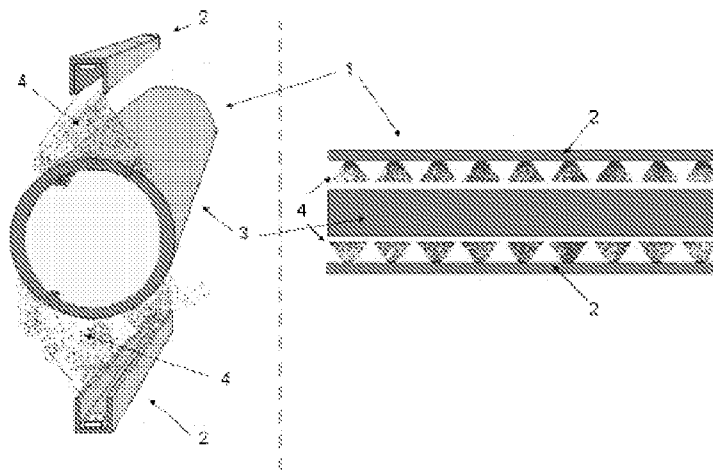


FIG. 1

(57) Abstract: The present invention relates to a method and device for illuminating and at the same time purifying or disinfecting products such as air, flowers, food, vegetables, meat, poultry or fish. The method comprises the use of IR emitting LED elements.

WO 2010/122062 A1